

SONY

**Car Stereo
Service Bulletin**

Sony Service Company - Technical Services
A Division of Sony Corporation of America
Sony Drive, Park Ridge, New Jersey 07656

Model: CDX-A100

No. 182

Subject: Sound Distortion Heard In Play Mode

Date: November 7, 1990

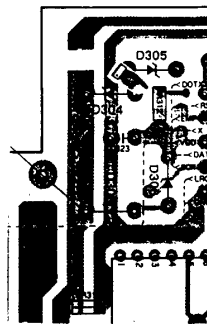
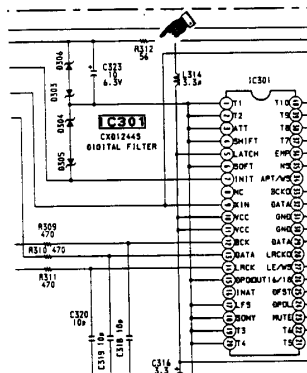
Symptom:
(53)

During Play mode, sound distortion is heard synchronizing with sound signal, especially when high frequency component sound is played back. This could be monitored by using a test disc YEDS 18, and scoping the sine wave.

Solution: If this symptom occurs, change R312 (resistance for unwanted radiation control) from 56 Ohm to 3.3 Ohm.

Ref. No.	Description		
	Former	New	Part Number
R312	Metal Glaze 56 Ohm	Metal Glaze 3.3 Ohm	1-216-138-00

Applicable Serial Numbers: 100,001 to 102,700



Reference: ME - 90005

PRINTED IN U.S.A.
CSA-141090-7

CSA-141090-7 Compact Disc